

Warning

A warning indicates a potentially hazardous situation which, if not avoided, could result in death or serious injury.

1. Read all instructions and save them for later reference.
2. Follow all warnings and instructions marked on the product.
3. Do not stand on the Versa-Haul.
4. Do not ride any vehicle during loading.
5. Store Versa-Haul carrier in a safe place.
6. Do not exceed vehicle tongue weight rating.
7. Only use with class II or class III hitch. Most class III hitches limit Versa-Haul to 500 lbs. total hauling capacity.
8. Improper use of carrier could result in death or serious injury.
9. Do not put Versahaul onto a 5th wheel trailer or any other kind of trailer.

10. **VH-50cc carrying capacity is limited to 250 lbs. max. Your vehicle suspension and hitch may limit the hauling capacity of the carrier.** For more information on vehicles and hauling capacities, visit www.versahaul.com

Manufacturer Information

Manufacturer's Name: **BNK, Inc.**

Manufacturer's Address:

BNK, Inc.
9341 S. St. Rd. 39
Winamac, IN 46996
(574) 278-7149

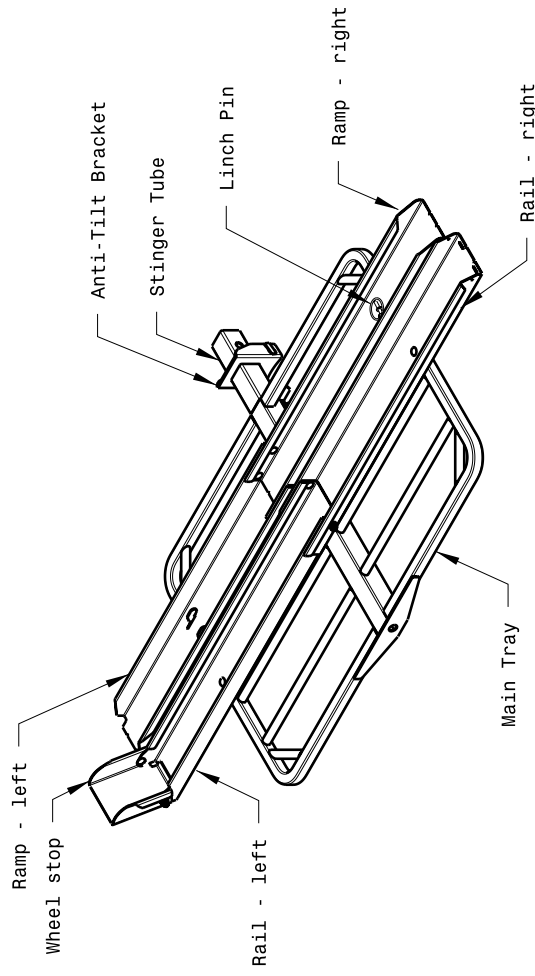
Product Name: Versa-Haul

Product Description: Single 50cc motorcycle carrier

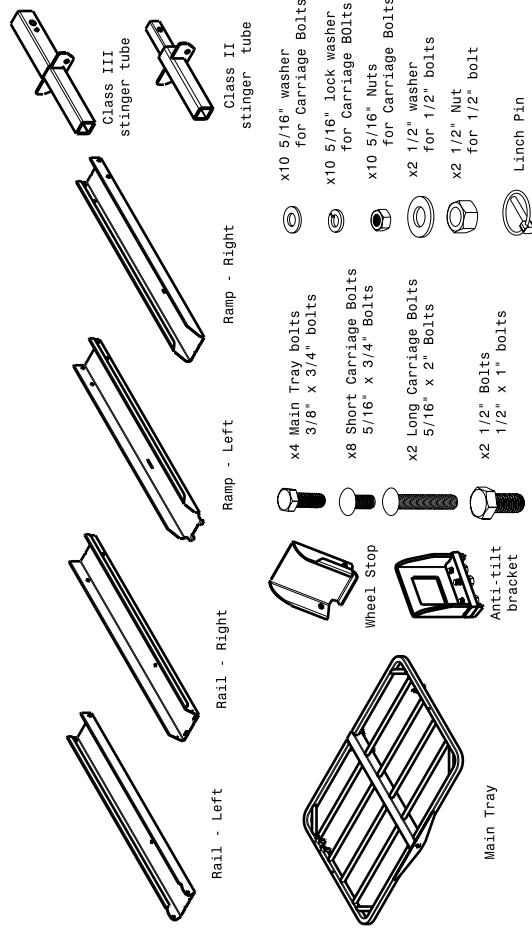
Model Number(s): VH-50CC

Serial number _____
(please fill in serial number affixed to Versa-Haul)

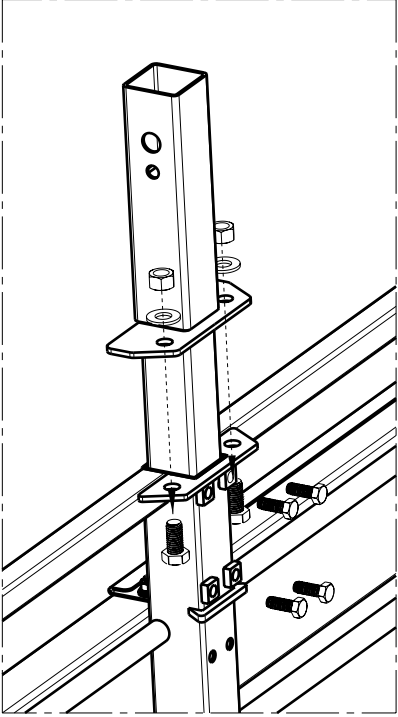
VH-50CC INSTRUCTION BOOKLET



Parts

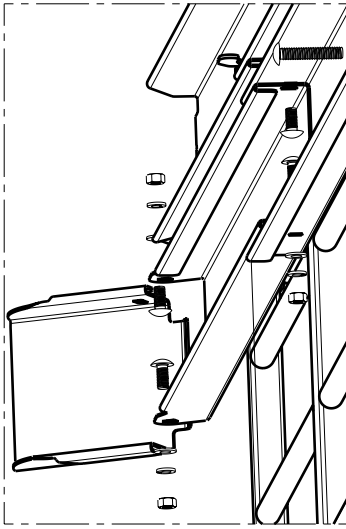


STEP 1



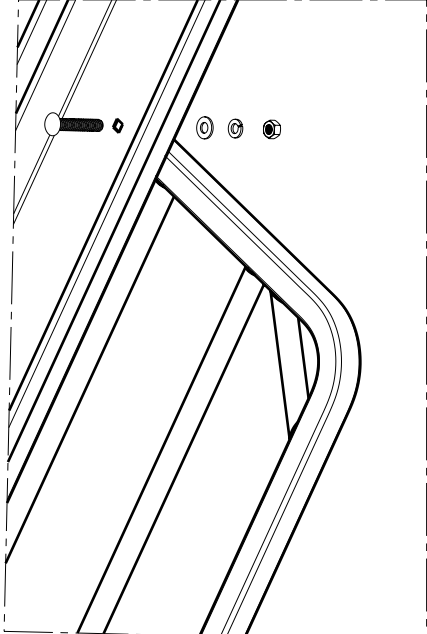
- Insert the appropriate stinger tube into the main tray (Class II or Class III Stinger Tube)
- Bolt the 1/2" bolts with washers and nuts to secure the stinger to the tray
- Bolt the 3/8" main tray bolts securely under the tray

STEP 2



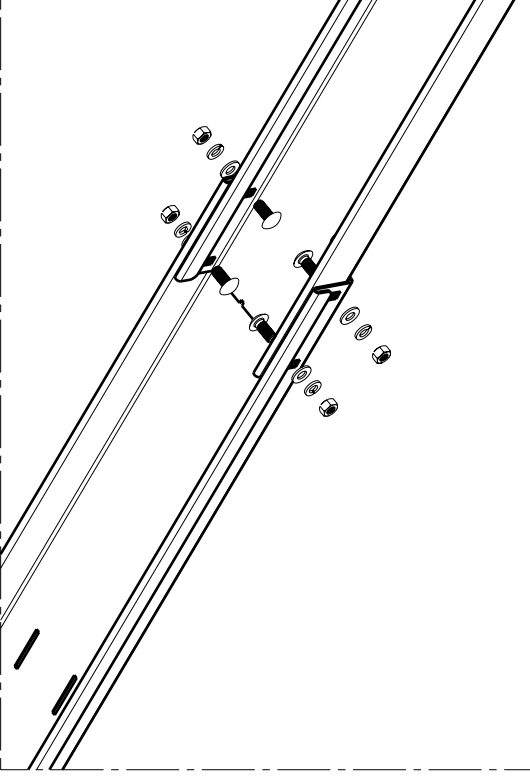
- Secure the Wheel Stop onto the Rail-Left using the Short Carriage Bolts
- Insert the washer, then the lock washer before bolting the nut
- Secure the Rail-Right onto the Rail-Left using the Short Carriage Bolts

STEP 3



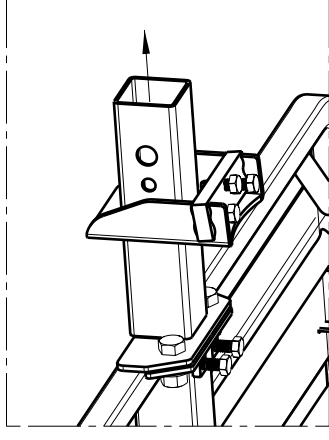
- Secure the Assembled Rail onto the Main Tray using the Long Carriage Bolts
- Bolt onto the left and right side of the Main Tray
- Insert the washer, then the lock washer before bolting the nut

STEP 4



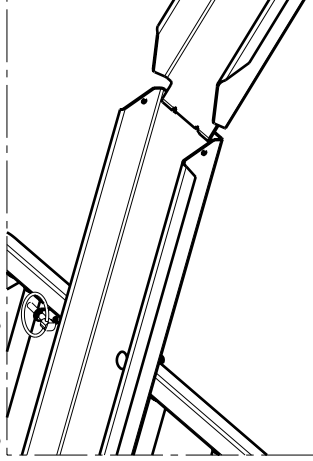
- Bolt the Ramp-Left and the Ramp-Right together using the Short Carriage Bolts
- Insert the washer, then the lock washer before bolting the nut

STEP 5

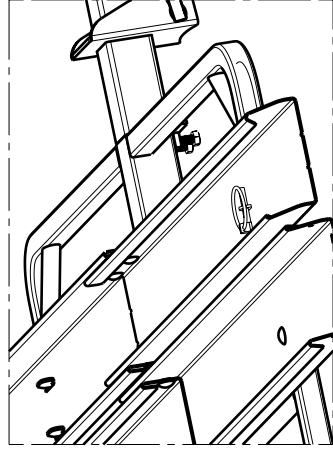


- Slide the Anti-tilt bracket onto the stinger tube
- Slide the assembled VH-50cc into the vehicle's hitch receiver
- Push the Anti-tilt bracket against the hitch receiver's lip and tighten the bolts

STEP 6



- To load the bike, hook the assembled Ramp onto the Rail-Right on the main tray



- When not used, secure the assembled Ramp onto the Main Tray's hooks
- Lock the Ramp using the lock pin